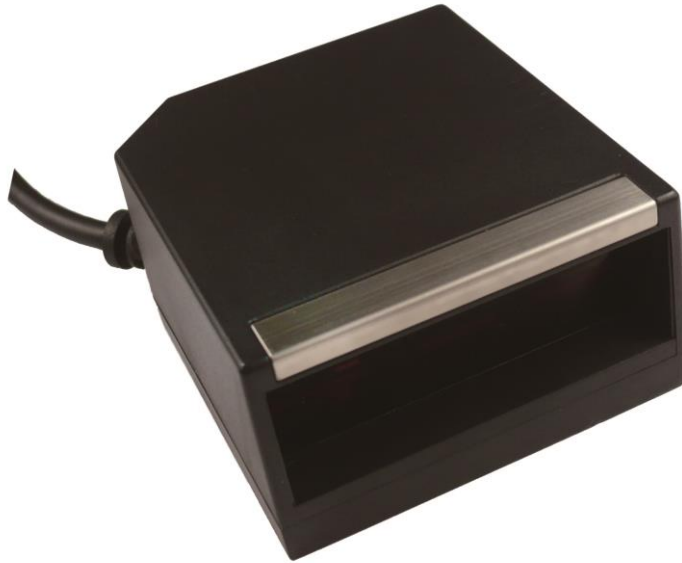
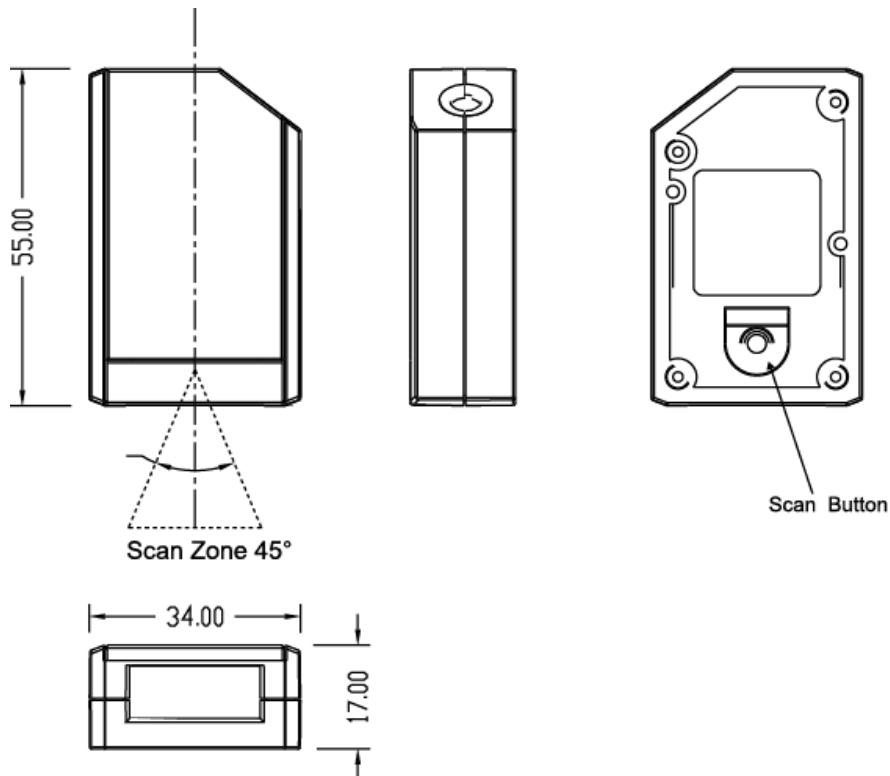


32-bit High-Speed Fixed-Mount Barcode Scanner

FCS-700



- **Dimensions**



- **Specifications**

Model		FCS-700
General		
Scan Rate	250 scan/sec	
Sensor Type	2500 Pixel CCD	
Wavelength	590nm, Brilliant Yellow	
Depth of Field	5~25 cm (max.)	
Width of Field	15 cm (long distance max.)	
Contrast Ratio	0.45	
Scan Patten	Single scan line (trigger/continuous)	
Resolution	0.1mm (4 mil) max	
System Interface	Keyboard Wedge/RS-232/USB	
Indicator	Audio Indicator	
Readable Bar Code Symbologies	Code 39/32, Full ASCII Code 39, Code 128, Code 11, Interleaved 2/5, Industrial 2/5/IATA, Matrix 2/5, China Postage, Code93, MSI/PLESSEY, Codabar/NW7, EAN-8/JAN-13, UPC-A, EAN-13/JAN-13, ISBN/ISSN, Telepen, GS1 Databar	
Electrical		
Power Input	5VDC ± 5%	
Others		
Material	ABS	
Color	Black	
Shock Resistance	1 m drop onto concrete	
Compliance	CE,FCC	
Weight	90 g (with cable)	
Dimension (L x W x H:mm)	55 x 34 x 17	
Cable Length	1.8 m	
Ambient Light	4500 lux (fluorescent)	
Operating Temperature	0°C~45°C	
Operating Humidity	---	
Storage Temperature	-20°C~ 60°C	
Storage Humidity	20% - 85% RH, non-condensing	

